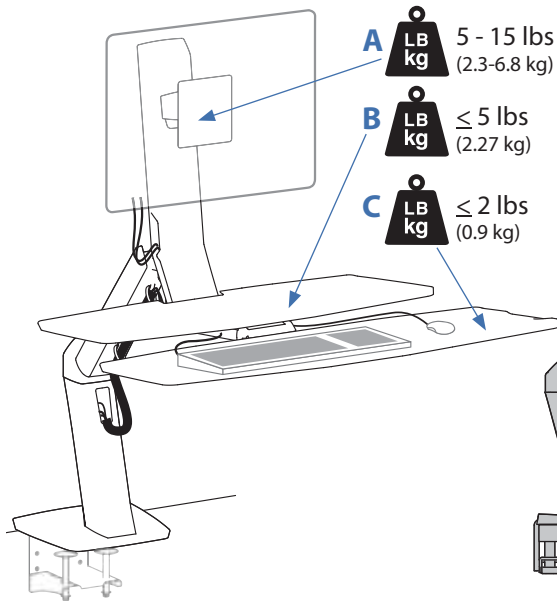


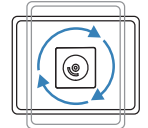
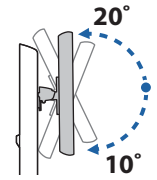
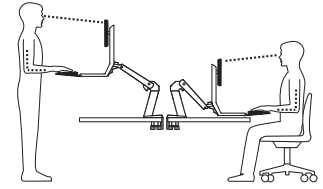
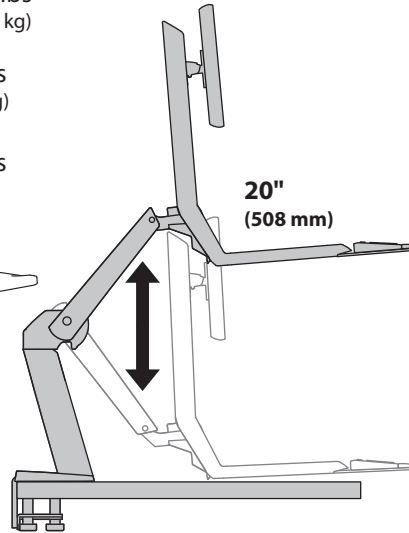
## WorkFit-A, Single LCD Mount, LD

### Dimensional & Range of Motion Illustrations

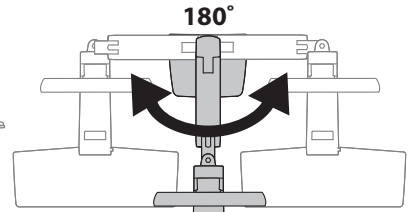
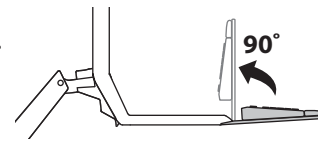
#### Weight Capacity



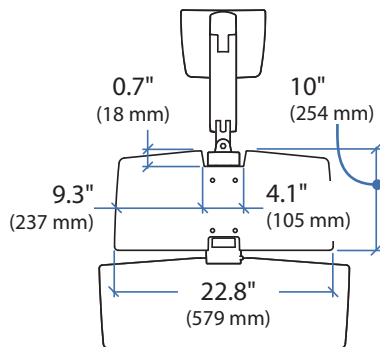
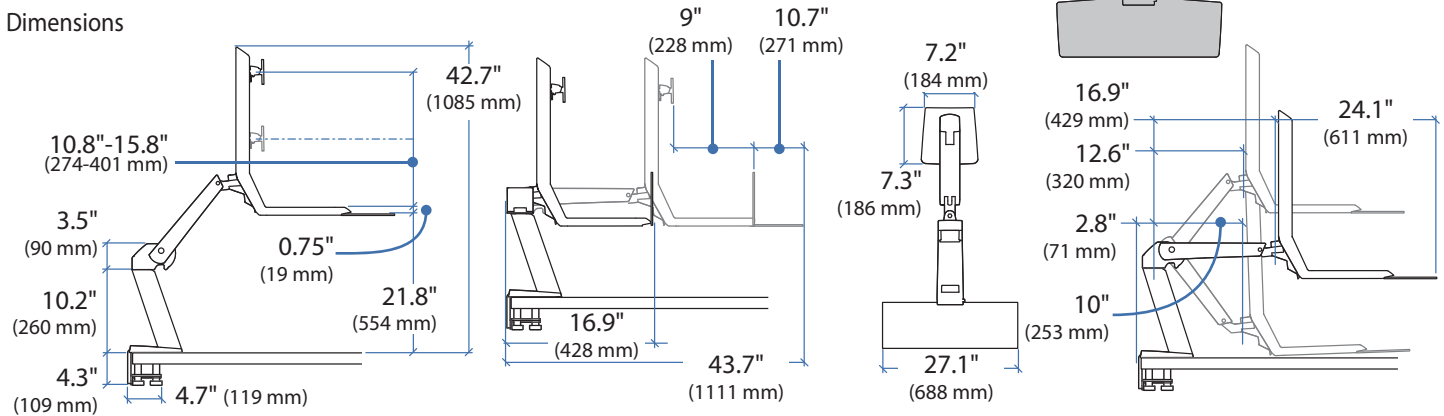
#### Range of Motion



Portrait/Landscape rotation stop screw can be installed for 0° rotation.

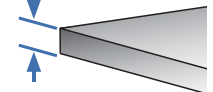


#### Dimensions



Desk Thickness:

0.78"-2.56" (20-65mm)



© 2013 Ergotron, Inc. rev. 08/22/2013 DIM-WorkFit-Allworksurface Content is subject to change without notification

#### Americas Sales and Corporate Headquarters

St. Paul, MN USA  
(800) 888-8458  
+1-651-681-7600  
www.ergotron.com  
sales@ergotron.com

#### EMEA Sales

Amersfoort, The Netherlands  
+31 33 45 45 600  
www.ergotron.com  
info.eu@ergotron.com

#### APAC Sale

Tokyo, Japan  
www.ergotron.com  
apaccustomerservice@ergotron.com

#### Worldwide OEM Sales

www.ergotron.com  
info.oem@ergotron.com

**PRÉSENCE**

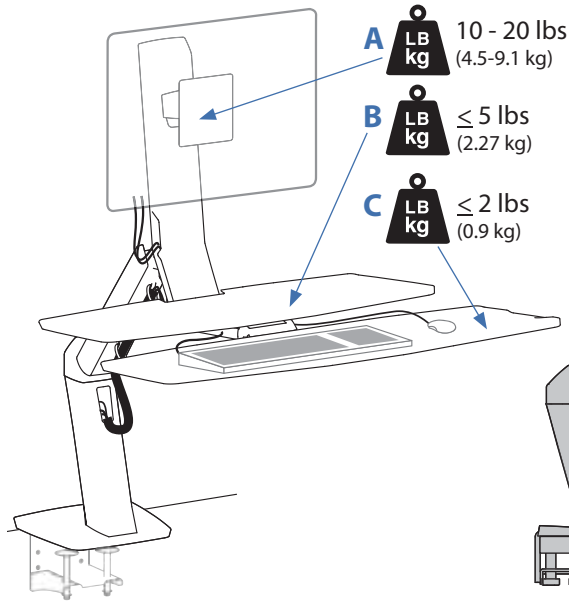
Québec Montréal  
Tél. : (418) 681-2470 Tél. : (514) 871-1994  
www.presence.qc.ca



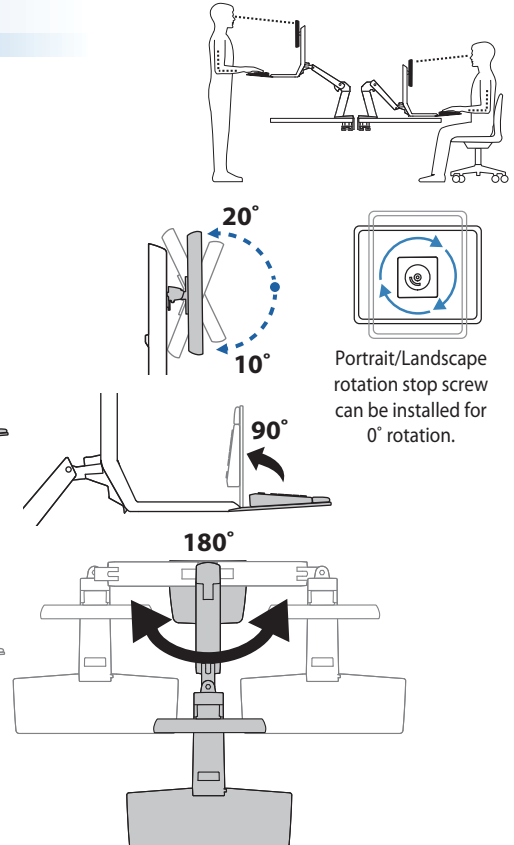
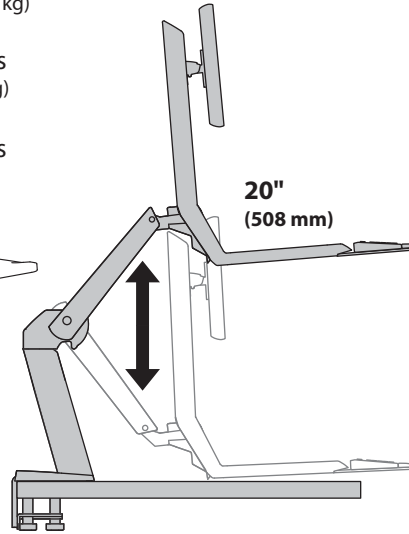
## WorkFit-A, Single LCD Mount, HD

### Dimensional & Range of Motion Illustrations

#### Weight Capacity

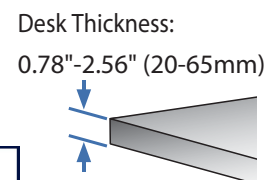
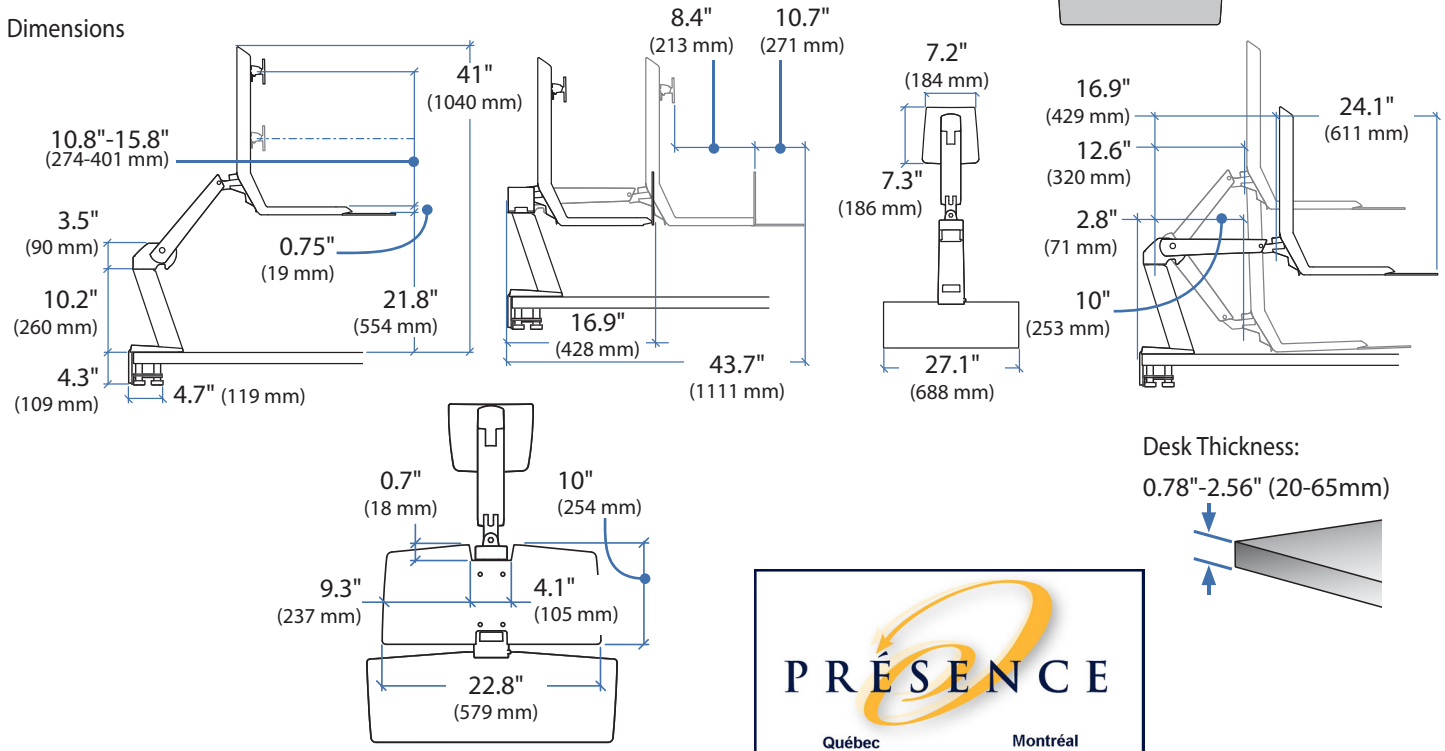


#### Range of Motion



Portrait/Landscape rotation stop screw can be installed for 0° rotation.

#### Dimensions



© 2013 Ergotron, Inc. rev. 08/22/2013 DIM-WorkFit-Allworksurface Content is subject to change

**PRÉSENCE**  
 Québec Montréal  
 Tél. : (418) 681-2470 Tél. : (514) 871-1994  
[www.presence.qc.ca](http://www.presence.qc.ca)

Americas Sales and Corporate Headquarters	EMEA Sales	APAC Sale	Worldwide OEM Sales
St. Paul, MN USA (800) 888-8458 +1-651-681-7600 <a href="http://www.ergotron.com">www.ergotron.com</a> <a href="mailto:sales@ergotron.com">sales@ergotron.com</a>	Amersfoort, The Netherlands +31 33 45 45 600 <a href="http://www.ergotron.com">www.ergotron.com</a> <a href="mailto:info.eu@ergotron.com">info.eu@ergotron.com</a>	Tokyo, Japan <a href="http://www.ergotron.com">www.ergotron.com</a> <a href="mailto:apaccustomerservice@ergotron.com">apaccustomerservice@ergotron.com</a>	<a href="http://www.ergotron.com">www.ergotron.com</a> <a href="mailto:info.oem@ergotron.com">info.oem@ergotron.com</a>



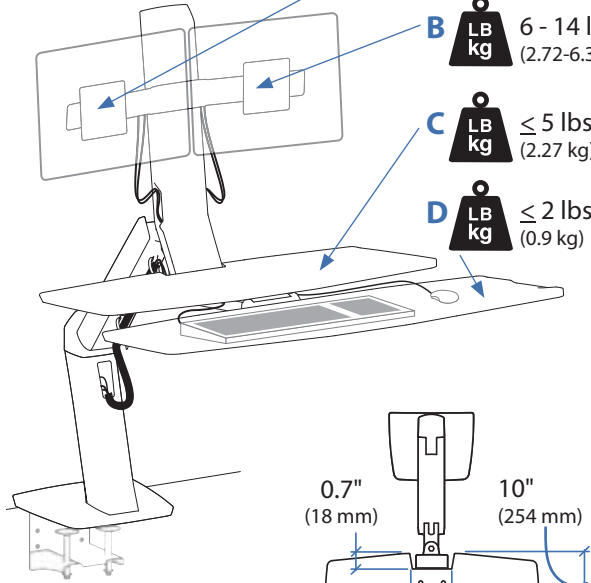
# Ergotron®

## WorkFit-A, Dual

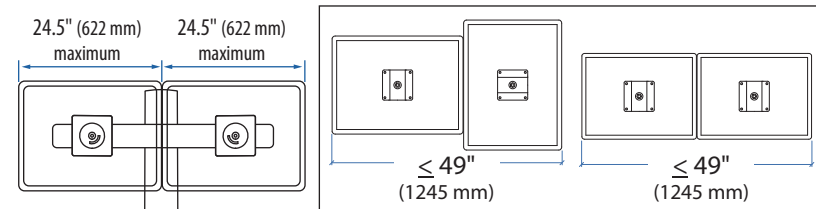
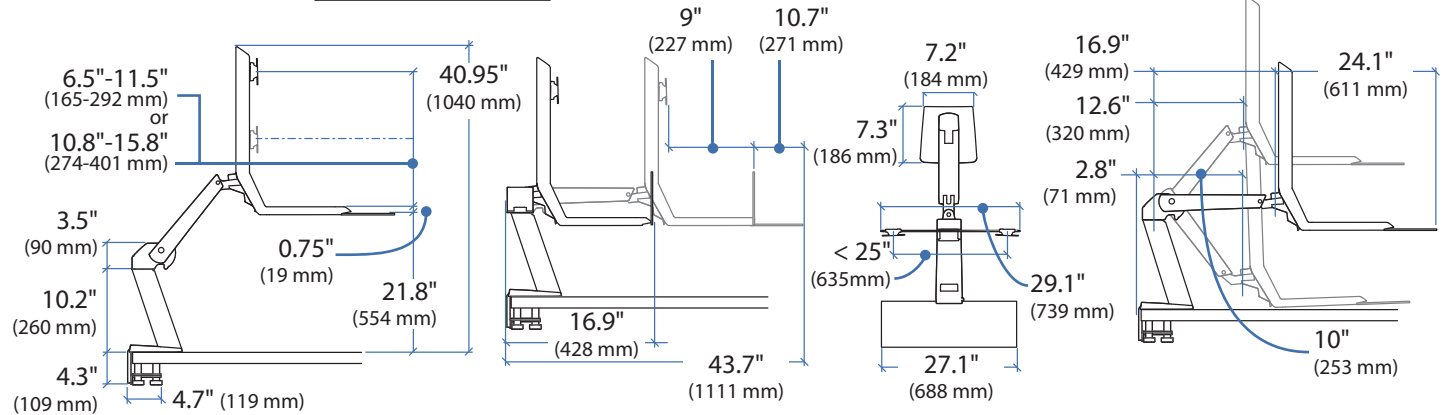
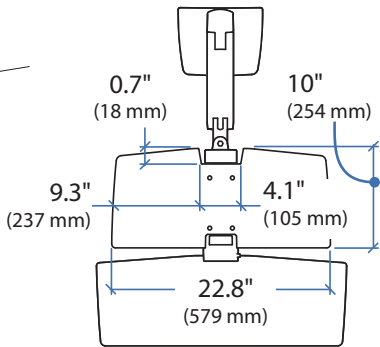
### Dimensional & Range of Motion Illustrations

Weight Capacity:

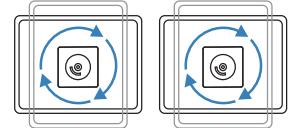
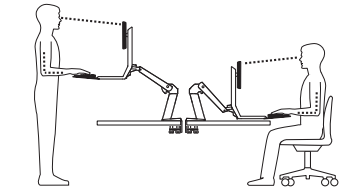
- A** 6 - 14 lbs (2.72-6.35 kg)
  - B** 6 - 14 lbs (2.72-6.35 kg)
  - C** ≤ 5 lbs (2.27 kg)
  - D** ≤ 2 lbs (0.9 kg)
- A+B** 9-20 lbs (4.1-9.1 kg)



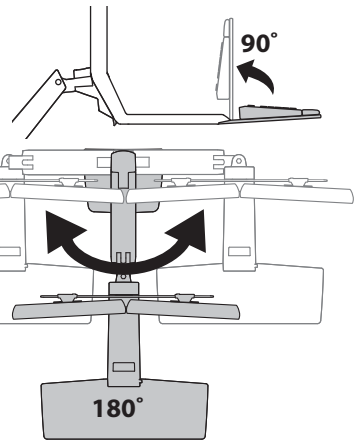
Dimensions



**\*Attention:** Listed allowable widths assume monitor thickness is 2" (51 mm). If monitor thickness is less, allowable width may be more. Contact Ergotron for details.



Portrait/Landscape rotation stop screw can be installed for 0° rotation.



© 2013 Ergotron, Inc. rev. 08/22/2013 DIM-WorkFit-Allworksurface Content is subject to change without notification

#### Americas Sales and Corporate Headquarters

St. Paul, MN USA  
(800) 888-8458  
+1-651-681-7600  
www.ergotron.com  
sales@ergotron.com

#### EMEA Sales

Amersfoort, The Netherlands  
+31 33 45 45 600  
www.ergotron.com  
info.eu@ergotron.com

#### APAC Sale

Tokyo, Japan  
www.ergotron.com  
apaccustomerservice

**PRÉSENCE**

Québec Montréal  
Tél. : (418) 681-2470 Tél. : (514) 871-1994  
www.presence.qc.ca

