

# T3-PC1 / T3-PC1D

## Table Boxes

US Patent US D553,306 S



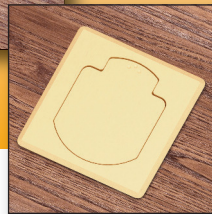
# FSR

## Metal Products Group

T3-PC1 / T3-PC1D



T3-PC1SQ



T3-PC1



T3-PC1D



### DESCRIPTION

The T3-PC1 series are perfect table boxes for single users, where convenient access to network drops, ac power sources and video/audio displays is required. The small footprint provides an un-obtrusive complement to any décor.

The T3-PC1 allows the user to connect their Laptop or PC to an external video display and house sound system as well as "link up" with network and phone lines. The T3-PC1D has an HDMI pass through in place of the RJ-11 jack.

The keystone areas can be populated with a variety of connectors including network, telephone, RCA or mini stereo audio, push buttons and much more to suit unlimited applications. Alternate style snap in keystone connectors and blanks are available separately for either model.

These stylish table boxes fit a 3½" round opening and are easily installed using a standard hole saw.

Round and square covers are available in black, brass or aluminum to blend with the decor.

The T3-PC1 includes:

- 1 AC Power outlet (pre-mounted)
- 1 HD15 Computer Video Female Connector
- 1 Stereo mini jack with 3-pin screw terminal plug
- 1 RJ-45 pass through connector (pre-mounted)
- 1 RJ-11 pass through connector (pre-mounted)
- 1 RJ-45 pass through connector
- 1 Keystone Blank
- 1 Pre-wired Power cord with plug

The T3-PC1D includes:

- 1 AC Power outlet (pre-mounted)
- 1 HD15 Computer Video Female Connector
- 1 Stereo mini jack with 3-pin screw terminal plug
- 1 RJ-45 pass through connector (pre-mounted)
- 1 HDMI pass through connector (pre-mounted)
- 1 Pre-wired Power cord with plug

The T3-PC1 can be installed in tables ¾" to 2½" thick. They are shipped with 3" installation screws and the components listed above.

### APPLICATIONS

- Desks
- Lecterns
- Lab Tables
- Boardroom Tables
- Control Consoles
- Classrooms

### FEATURES

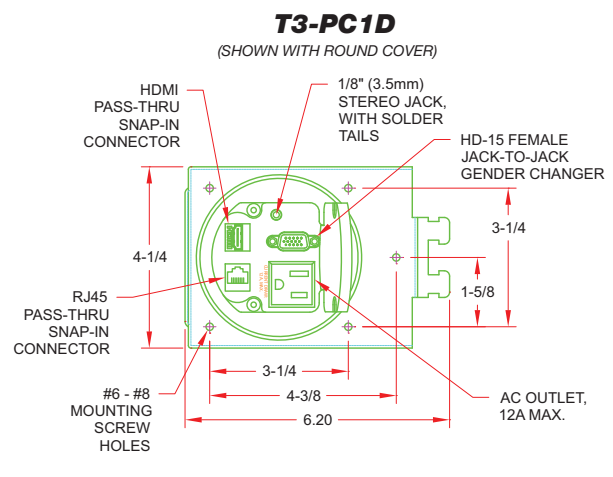
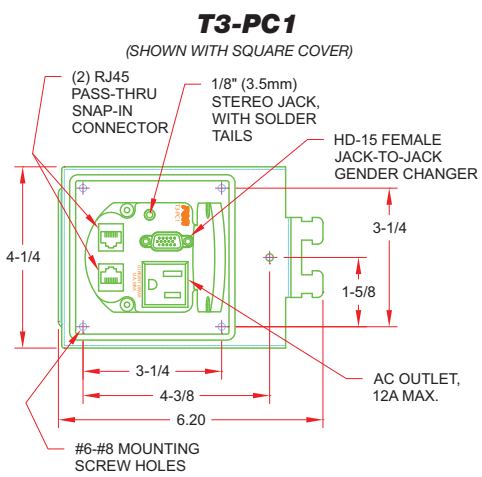
- Round or Square Covers
- Can be matched to nearly any décor with Black, Aluminum or Custom Brass Top
- Easy and flexible installation  
3½" Hole ¾" to 2½" table thickness
- Can be easily configured to match customer needs
- Built to Last CNC Milled Solid Cover  
Rugged 16 gauge-galvanized steel Chassis  
Cable Strain Relief Attach Point
- No Annoyance Factor  
Cover Opens 96 Degrees so it Stays Open  
Rubber Grommets for quiet closure

### ACCESSORIES

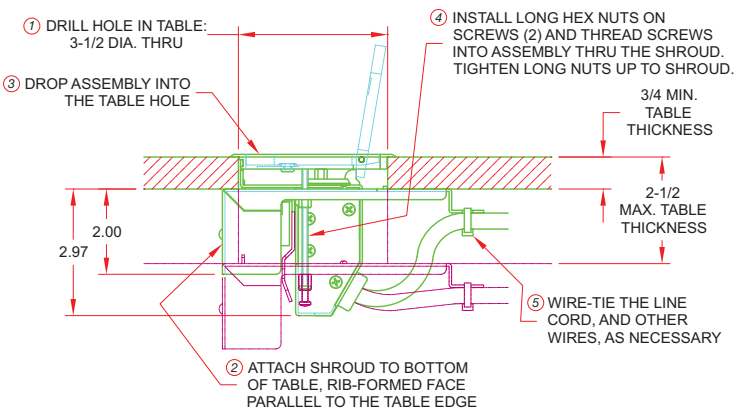
- CS-HD5BMF-2 is a 2-foot HD15 male to 5 BNC female. FSR PN 15897
- CS-HDMMMA-6 is a 6-foot combined cable having a HD15 male and male stereo mini plug on both ends. FSR PN 15890
- CS-HDMM-6 is a 6-foot cable having an HD15 male on both ends. FSR PN 15878



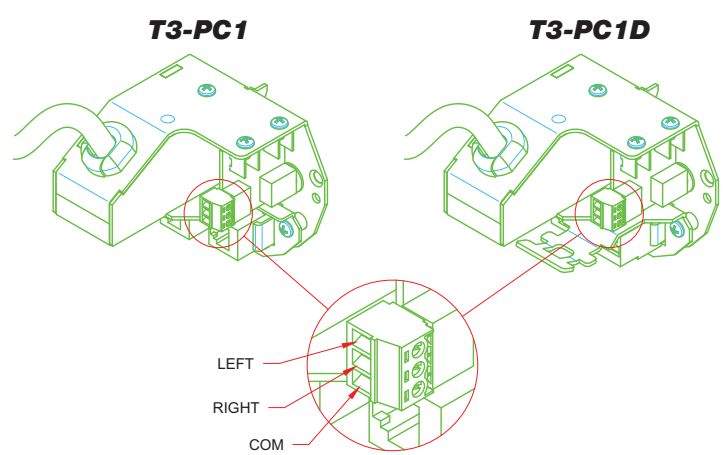
# Typical Assembly



NOTE: FOLLOW ASSEMBLY STEPS IN ORDER. INSTALLATION DRAWING AND INSTRUCTIONS PERTAIN TO MODELS WITH ROUND OR SQUARE COVERS.



## AUDIO OUTPUT PINOUT



# Ordering Information

T3-PC1 3.5" Round Table Box		
16241	T3-PC1-BLK	HD-15, Stereo Audio, 2 Keystone w/ AC - Plug - Black - Round cover
16892	T3-PC1SQ-BLK	HD-15, Stereo Audio, 2 Keystone w/ AC - Plug - Black - Square cover
16240	T3-PC1-ALU	HD-15, Stereo Audio, 2 Keystone w/ AC - Plug - Aluminum - Round cover
16891	T3-PC1SQ-ALU	HD-15, Stereo Audio, 2 Keystone w/ AC - Plug - Aluminum - Square cover
16242	T3-PC1-BRS	HD-15, Stereo Audio, 2 Keystone w/ AC - Plug - Brass - Round cover
16893	T3-PC1SQ-BRS	HD-15, Stereo Audio, 2 Keystone w/ AC - Plug - Brass - Square cover
T3-PC1 3.5" HDMI Round Table Box w/ Square or Round Cover		
17276	T3-PC1D-BLK	HD-15, Stereo Audio, HDMI and Data w/AC - Plug - Round - Black
17277	T3-PC1D-SQBLK	HD-15, Stereo Audio, HDMI and Data w/AC - Plug - Square - Black
17278	T3-PC1D-ALU	HD-15, Stereo Audio, HDMI and Data w/AC - Plug - Round - Aluminum
17279	T3-PC1D-SQALU	HD-15, Stereo Audio, HDMI and Data w/AC - Plug - Square - Aluminum
17280	T3-PC1D-BRS	HD-15, Stereo Audio, HDMI and Data w/AC - Plug - Round - Brass
17281	T3-PC1D-SQBRS	HD-15, Stereo Audio, HDMI and Data w/AC - Plug - Square - Brass

Specifications are subject to change without notice.

