



UNITE 200, the most versatile, professional-grade PTZ camera in the industry, includes USB, HDMI, and IP connections making it ideal for multiple applications such as PC-based web conferencing, UC applications, videoconferencing, distance learning, lecture capture, telepresence, surveillance, remote management, IT control, and more.

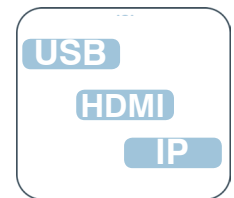
Enterprise-class video

- + Full HD video quality with 1080p@60fps
- + 12x optical zoom
- + 73° wide-angle view
- + Super-High SNR
- + Advanced 2D & 3D noise reduction



Multiple connections

- + Support for USB 3.0, USB 2.0, HDMI, and IP
- + Simultaneous video output to USB, HDMI, and for IP streaming
- + Flexible control via RS-232 or USB (UVC) or IP-based web management



IP streaming – H.265

- + Supports H.264 and H.265 encoding,
- + 1080p@60fps video stream
- + RTSP streaming via unicast & multicast
- + Line-in interface to stream audio
- + Compatible with ClearOne VIEW® Pro

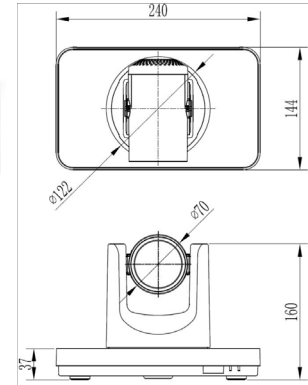


Compatibility with multiple applications

- + Compatible with COLLABORATE® Pro
- + Compatible with many popular PC-based video applications in meeting rooms



> COMPONENTS/CAMERA REAR



Functional Specifications

CAMERA

VIDEO SYSTEM	1080p/60, 1080p/50, 1080i/60, 1080i/50, 1080p/30, 1080p/25, 720p/60, 720p/50, 720p/30, 720p/25
SENSOR	1/2.7 INCH, CMOS, EFFECTIVE PIXEL: 2.07M
SCANNING MODE	PROGRESSIVE
LENS	12X, F3.5MM-42.3MM, F1.8-F2.8
MINIMAL ILLUMINATION	0.05 LUX @ (F1.8, AGC ON)
SHUTTER	1/30S-1/10000S
WHITE BALANCE	AUTO, INDOOR, OUTDOOR, ONE PUSH, MANUAL
BACKLIGHT COMPENSATION	SUPPORTED
DIGITAL NOISE REDUCTION	2D & 3D DIGITAL NOISE REDUCTION
VIDEO S/N	≥55DB
HORIZONTAL ANGLE OF VIEW	72.5°-6.9°
VERTICAL ANGLE OF VIEW	44.8°-3.9°
HORIZONTAL ROTATION RANGE	±170°
VERTICAL ROTATION RANGE	-30°-+90°
PAN SPEED RANGE	1.7°-100°/S
TILT SPEED RANGE	1.7°-69.9°/S
H & V FLIP	SUPPORTED
IMAGE FREEZING	SUPPORTED
NUMBER OF PRESETS	255
FLEXIBLE INSTALLATION	STANDARD MOUNT, UPSIDE-DOWN MOUNT

USB FEATURES

OPERATING SYSTEMS	WINDOWS 7, WINDOWS 8, WINDOWS 8.1, WINDOWS 10, MAC OSX, LINUX
COLOR SYSTEM	YUV 4:2:2
VIDEO FORMATS	USB3.0: 1080p/30,1080p/25,720p/30,720p/25
USB VIDEO COMMUNICATION	UVC 1.0
UVC PTZ	SUPPORTED

IP STREAMING FEATURES

VIDEO CODING STANDARD	H.265/H.264/MJPEG
VIDEO STREAMS	MAIN STREAM, SUB STREAM
MAIN STREAM RESOLUTION	1920 X 1080, 1280 X 720,1024 X 576
SUB STREAM RESOLUTION	720 X 576, 720 X 480, 320 X 240
BIT RATE	128KBPS-8192KBPS
BIT RATE TYPE	VARIABLE RATE, FIXED RATE
FRAME RATE	50HZ: 1-50 FPS, 60HZ: 1-60 FPS
AUDIO STREAM RATE	96K, 128K, 256K
SUPPORTED PROTOCOLS	TCP/IR, HTTP, RTSP, RTMP, DHCP, MULTICAST

INPUT/OUTPUT INTERFACE

HD OUTPUT	1 X HDMI: VERSION 1.3
NETWORK INTERFACE	1 X RJ45: 10M/100M/1000M ADAPTIVE ETHERNET PORT
AUDIO INPUTS	1-CH 3.5MM AUDIO INTERFACE, LINE IN
USB	1 X USB3.0: TYPE B FEMALE JACK 1 X USB2.0: TYPE A FEMALE JACK (RESERVED INTERFACE)
COMMUNICATION	1 X RS-232 IN: 8-PIN MIN DIN, MAX DISTANCE: 30M, PROTOCOLS: VISCA/PELCO-D/PELCO-P 1 X RS-232 OUT: 8-PIN MIN DIN, MAX DISTANCE: 30M, PROTOCOLS: VISCA NETWORK USE ONLY 1 X RS485: SHARE WITH RS232 OUT, MAX DISTANCE: 1200M, PROTOCOLS: VISCA/PELCO-D/PELCO-P

GENERIC SPECIFICATIONS

POWER JACK	JEITA TYPE (DC IN 12V)
INPUT VOLTAGE	DC 12V
POWER CONSUMPTION	12W (MAX)
OPERATING TEMPERATURE	-10°C-40°C
STORAGE TEMPERATURE	-40°C-60°C
DIMENSIONS	240MM X 144MM X 160MM
WEIGHT	1.65KG (3.6LB)
PART NUMBER	910-2100-003

OPTIONAL ACCESSORIES

910-2100-103	WALL MOUNT 200 FOR UNITE CAMERA
910-2100-203	CEILING MOUNT 200 FOR UNITE CAMERA
910-2100-002	USB 3.0 CABLE

SALES AND INQUIRIES

North America

Tel: +1 801.975.7200
TollFree: +1 800.945.7730
TechSales: +1 800.705.2103
Fax: +1 801.303.5711
sales@clearone.com

Europe

Tel: +1.800.945.7730
global@clearone.com

Middle East

Tel: +1.800.945.7730
global@clearone.com

Asia Pacific

Tel: +1.800.945.7730
global@clearone.com

Other product names may be registered trademarks of their respective owners who do not necessarily endorse ClearOne or ClearOne's products. All rights reserved. Information in this document subject to change without notice. © 2016 ClearOne.

