



COMMERCIAL DISPLAY ACCESSORIES

VB-STND-008

Key Features

- Integrated ViewBoard on-screen control for better lesson delivery
- Electric tilt adjustment for effortless individual or group learning
- Motorized height adjustment for easy and fast access to ViewBoard
- Accessible design with large wheels for maximum mobility
- Smart space design to keep all cables and accessories organized



Product Description

The VB-STND-008 motorized trolley cart securely accommodates ViewSonic 55", 65", 75", and 86" ViewBoard interactive flat panel displays, or any similar displays weighing up to 75 kg. Thanks to integrated on-screen control, the trolley's height can be easily adjusted using the ViewBoard app toolbar without class interruption. Designed for safety and equipped with 360-directional quiet wheels, this mobile cart lets you securely and silently move the ViewBoard display from room to room for easy sharing of resources..

ERGONOMICS

Swivel: 360
Height Adjust: 560mm
Tilt: 0° ~ 90°

WALL MOUNT BRACKET

up to 800x600mm

MATERIAL

Aluminum Alloy, Plastic, Steel

LOADING

Wall mount: 75 kg max. / 165 lb max.

Plate: 10 kg max. / 22 lb max.

DIMENSIONS

Physical (WxHxD): 1248.9x(1330.7~1890.7)x716 (mm) / 49.17x(52.4~74.44)x28.19 (in)

Packaging (WxHxD): 1150x490x1010 (mm) / 45.28x19.29x39.77 (in)

WEIGHT

Net: 65 kg / 143 lb

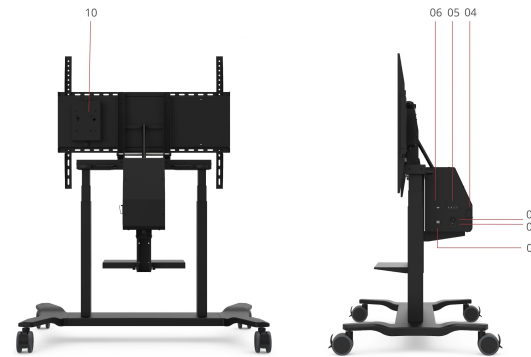
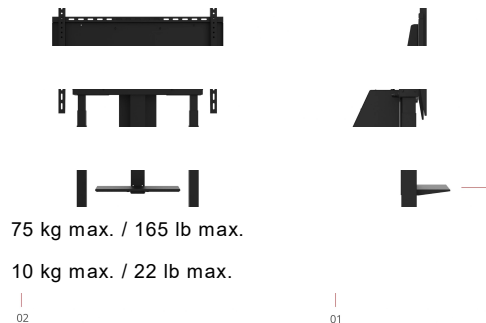
Gross: 74.4 kg / 164 lb

COMPLIANCE

cTUVus, FCC, Mexican(NOM), UL1678, CE, CB, RoHS, ErP, REACH, WEEE, RCM

INBOX ITEMS

1. Control Pad
2. Power Cord
3. Power Adapter Cord
4. USB Adapter Cable
5. Screw Bag
6. Core Hook(x2)
7. Quick Start Guide
8. Compliance statement



8. AC out
9. AC in
10. Protective Cover

viewsonic.com