



An alternative to bare metal racks, we have developed a complete line of deluxe AV rack enclosures. Front EIA compliant racks are available in 3 sizes, 12U (**RACK-12**), 16U (**RACK-16**) and 21U (**RACK-21**) units. These mobile racks have locking tinted acrylic front and solid laminate rear doors which allow better access to your electronics than previous AV-series designs.

Standard Features

- Made with furniture grade laminates
- EIA compliant, threaded rack rails (10-32 screws)
- Large top cable access vent
- Locking tinted acrylic front door
- Locking rear door with fan cutout
- Heavy-duty locking casters for easy maneuvering
- Ships assembled

Options

- **PB** Six outlet power bar with 10 ft. cord
- **FAN** Quiet cooling fan
- **C900S** 15" - 24" Adjustable monitor arm
- **C900D** Adjustable dual monitor arm. Holds monitors up to 22" horizontal width each
- **MM1232** 12" - 32" (Some 37") Monitor/TV mount
- **9107** Lacing bar (19" long)
- **9031-2** Vented metal shelf
- **9041** Sliding shelf
- **9052** Sliding drawer
- **RR12/RR16/RR21** 12U/16U/21U Rear rack rails
- **CASTER** 6" Metal caster with gray non-marking tire (2 locking)
- **LEV4AX4** 4x Levelers for non-mobile applications
- **CUSTOM CUTOUT** Cutouts for electronics or other items specified by the customer



Specifications

Model: RACK 12/16/21
Width: 22-7/8"
Depth: 26-7/8"
Height: 27-5/8" - 34-5/8" - 43-3/8"

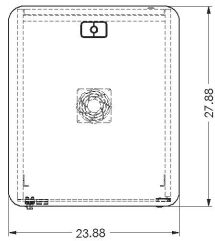
Finishes



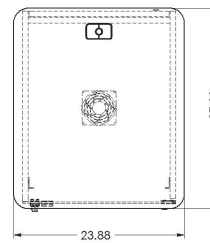
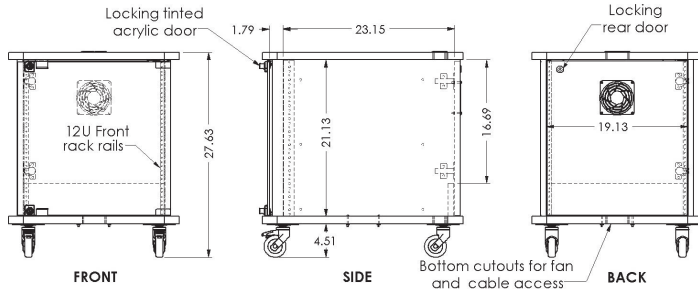
Other finishes are available with a longer lead time. Check website.



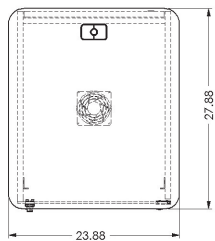
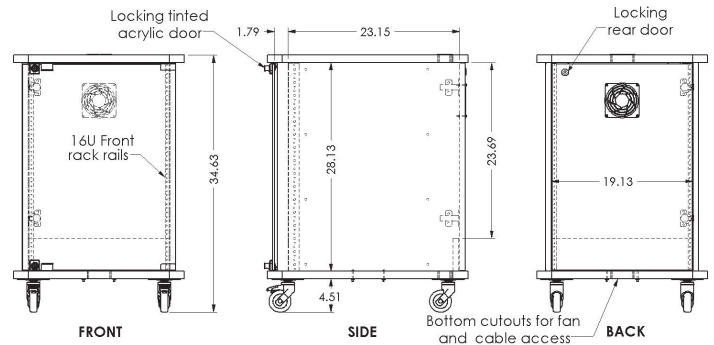
Dimensional Drawings



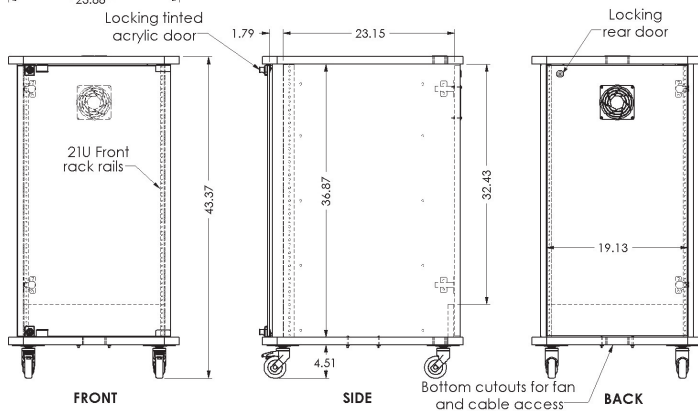
RACK-12



RACK-16



RACK-21



PRÉSENCE
www.presence.qc.ca
418.681.2470

The information contained in this drawing is the sole property of Audio Visual Furniture International. Any reproduction in part or as a whole without the written permission of Audio Visual Furniture International is prohibited. We can build or modify stock configurations to suit customer specifications. Please contact us to discuss how this service can help meet your needs. Some quantity restrictions may apply. Specification subject to change without notice. Computers, cameras, monitors, etc. are shown to illustrate product usage and are not included unless otherwise noted.